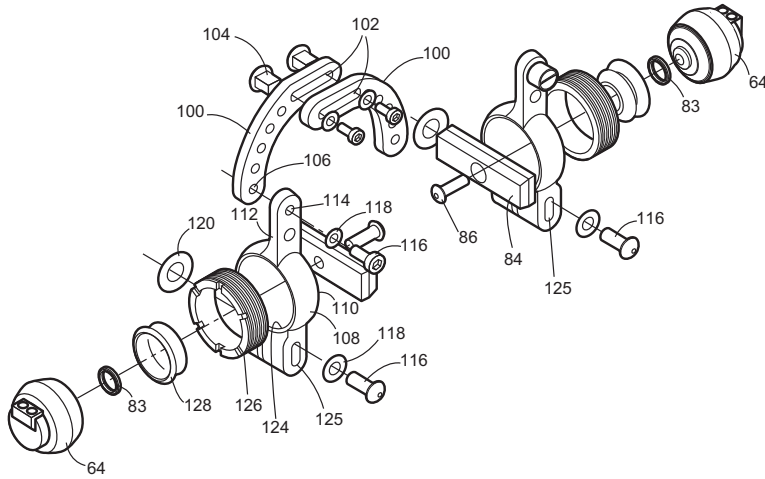


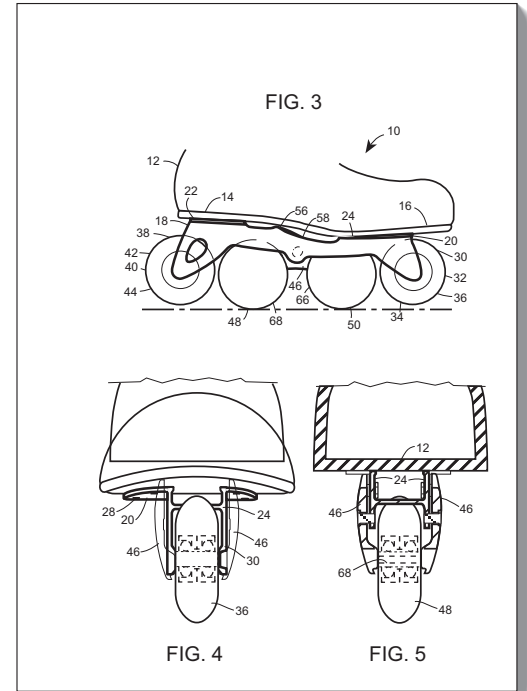
UTILITY PATENTS

With over 60 years of experience, we can prepare drawings from either specification or concept alone. We can also meet the requirements for any foreign filing.

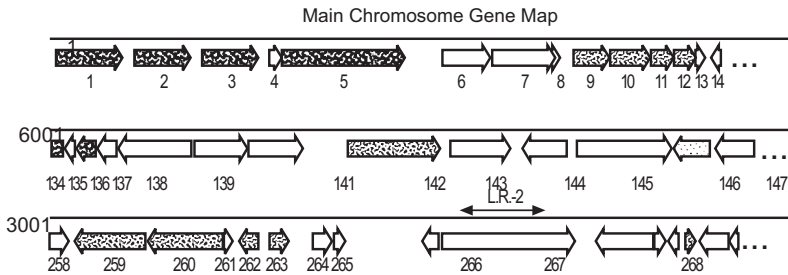
Exploded Views



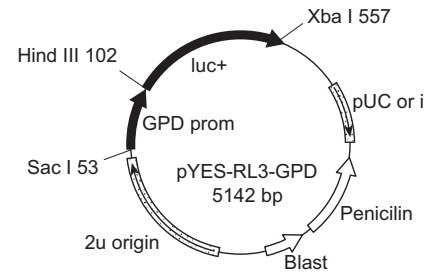
Side, elevation and section views



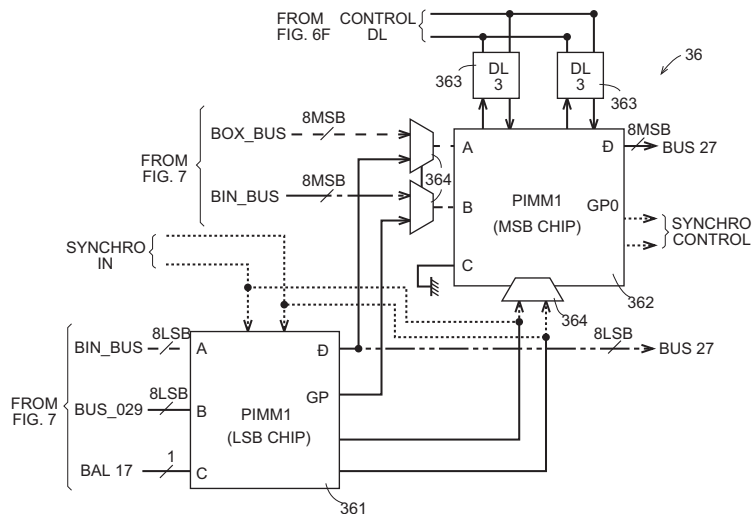
Gene Mapping



Genetic Diagrams



Schematic Drawings



Pharmaceutical Graphs

